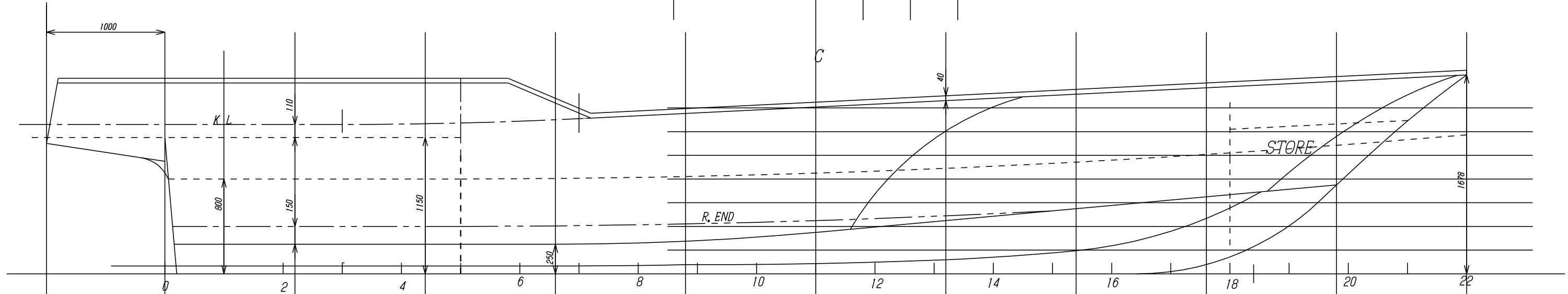
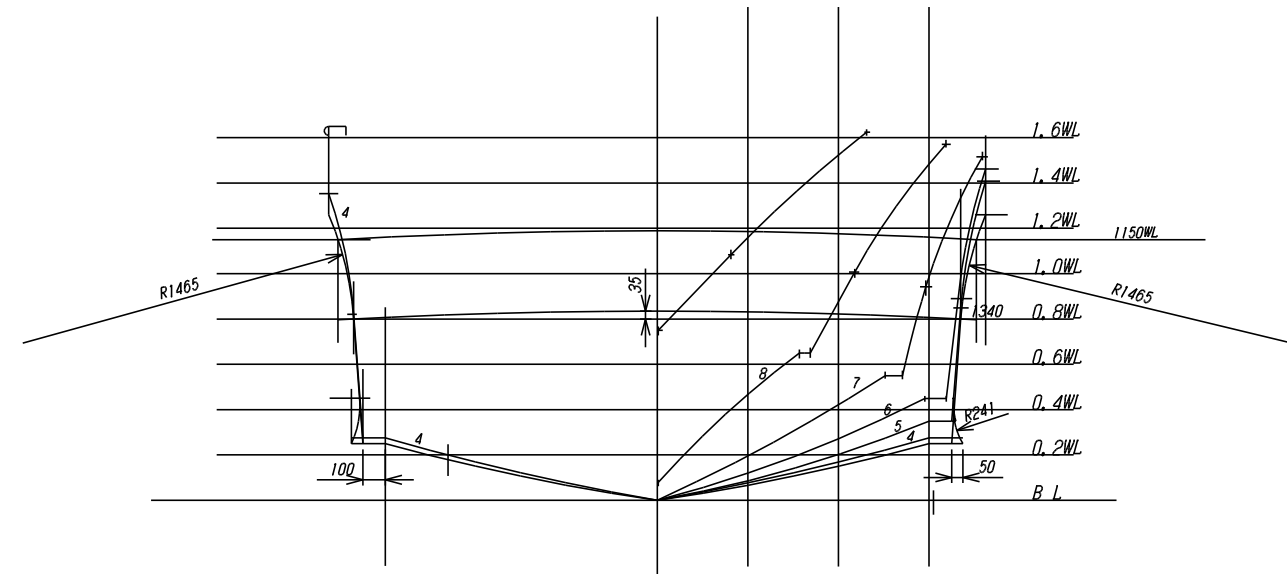


BOTTOM 235
 DECK 180
 SIDE SHEEL 250
 CABIN 200
 DOOR WINDOW 100
 TOILET 30

ENGINE JET 450X2=900
 TANK 200X2
 ENGINE ROOM 200
 CABINE 120

TOTAL 2615

LENGTH OVER ALL 12.00
 ORDINATE APART 1.10
 FRAME SPACE 0.50
 BREADTH 2.68
 BEAM CAMBER 0.035



0 1 2 3 4 5 6 7 8 9 FE

